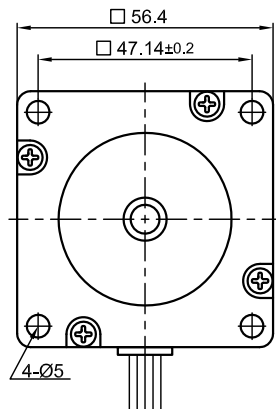
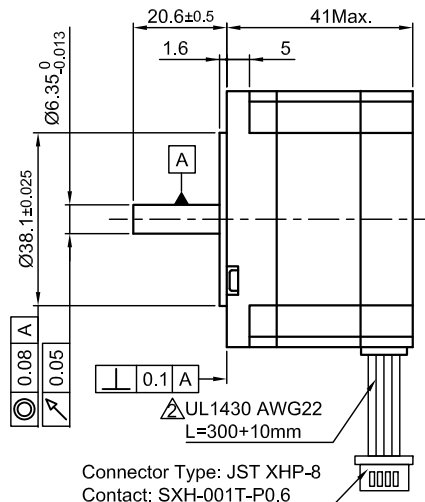


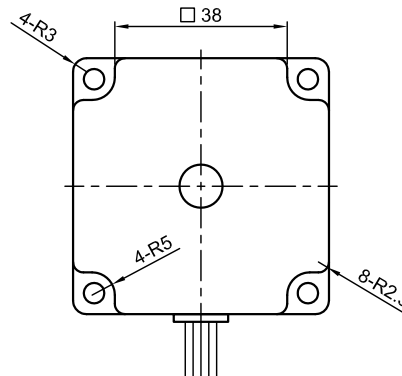
Front view and mounting



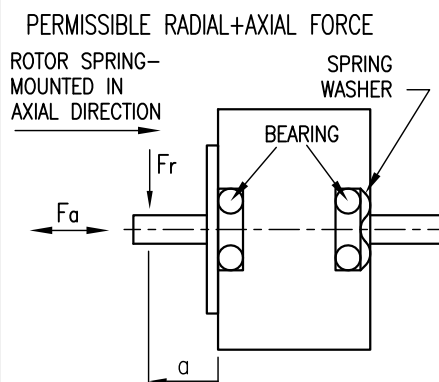
Side view



Rear view



SPECIFICATION	CONNECTION	UNIPOLAR OR BIPOLAR-1 WINDING	BIPOLAR	
			SERIAL	PARALLEL
VOLTAGE (VDC)		1.5		
AMPS/PHASE		3.0	2.12	4.24
RESISTANCE/PHASE (Ohms)@25°C		0.5±15%	1.0±15%	0.25±15%
INDUCTANCE/PHASE (mH) @1KHz		0.54±20%	2.16±20%	0.54±20%
HOLDING TORQUE (Nm) [lb-in]		0.38 [3.363]	0.537 [4.752]	0.537 [4.752]
DETENT TORQUE (Nm) [lb-in]		0.0147 [0.13]		
STEP ANGLE (°) ± ACCURACY		1.8±5% (NON-ACCUM)		
BACK-EMF (V) (300 U/min)			5.3	
ROTOR INERTIA (Kg-m ²) [lb-in ²]		1.35x10 ⁻⁵ [0.046]		
WEIGHT (Kg) [lb]		0.49 [1.08]		
TEMPERATURE RISE: MAX.80°C (MOTOR STANDSTILL; FOR 2 PHASE ENERGIZED)				
AMBIENT TEMPERATURE -10~ 50°C [14°F ~ 122°F]				
INSULATION RESISTANCE 100 MOhm (UNDER NORMAL TEMPERATURE AND HUMIDITY)				
INSULATION CLASS B 130° [266°F]				
DIELECTRIC STRENGTH 500VAC FOR 1 MIN. (BETWEEN THE MOTOR COILS AND THE MOTOR CASE)				
AMBIENT HUMIDITY MAX. 85% (NO CONDENSATION)				

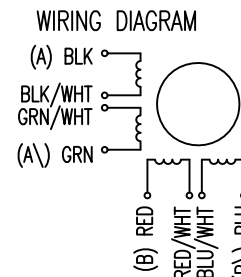


	AXIAL-FORCE Fa (N)			
	Fa=10			
DISTANCE a (mm)	5	10	15	20
RADIAL-FORCE Fr (N)	130	90	70	52
	AXIAL	RADIAL		
SHAFT PLAY (mm)	0.08	0.02		
AT LOAD MAX: (N)	4.5	4.5		

TYPE OF CONNECTION (EXTERN)				MOTOR		
UNIPOLAR	BIPOLAR 1WINDING	SERIAL	PARALLEL	CONNECTOR PIN NO. (A)	LEADS	WINDING
A	A	A	A	1	BLK	A
COM	A			3	BLK/WHT	
A\	B	A\	A\	2	GRN/WHT	A\
B	B	B	B	4	GRN	B
COM	B			5	RED	
B\		B\	B\	7	RED/WHT	B\
				6	BLU/WHT	
				8	BLU	

FULL STEP 2 PHASE-Ex.,
WHEN FACING MOUNTING END (X)

STEP	A	B	A\	B\	CCW	CW
1	+	+	-	-	↓	↑
2	-	+	+	-	↓	↑
3	-	-	+	+	↓	↑
4	+	-	-	+	↓	↑



REV	DESCRIPTION	DATE	APVD
2	NEW UL NO.	29.07.09	J.W.
1	PIN-ASSIGNMENT	08.01.08	J.W.



ST5918X3008-A

SCALE	FREE	APVD	S.Ha.	19.03.07
X	±0.5	CHKD		
1PL	±0.2	DRN	J.W.	21.11.06
2PL	±0.1	SIGNATURE		DATE
ANGLE	±30'			

STEPPING MOTOR

DWG.NO

ST5918X3008-A